

## APPLICATION

Centrifugal horizontal multi-impeller water pumps able to develop high pressure and a high water lift with a comparatively low power consumption.

Thanks to their silent running and very good features, they are suitable in domestic fittings by tank pressure groups, for small sprinkler irrigations and car washing.

### OPERATING CONDITIONS

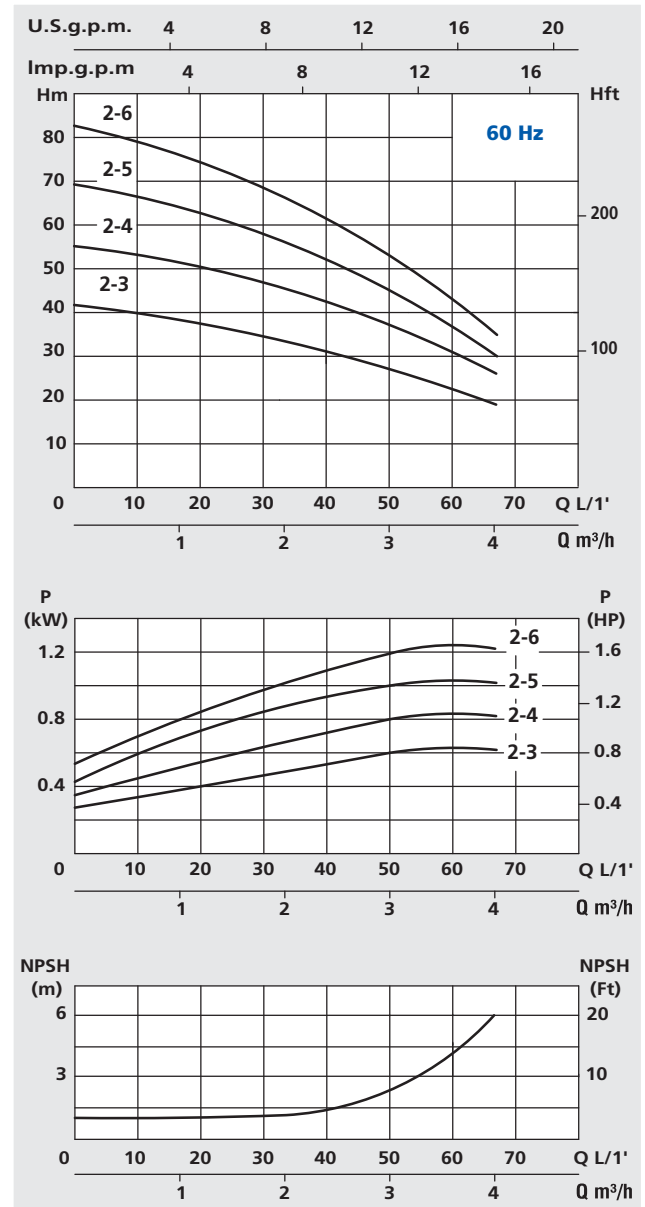
- Max working pressure: 10 bar
- Liquid temperature up to 90°C
- Ambient temperature up to 40°C
- Total suction lift up to 7 mt.
- Continuous duty

### MOTOR

- Two-Pole induction motor ( $n = 3450 \text{ min}^{-1}$ )
- Insulation Class F
- Protection IP 44

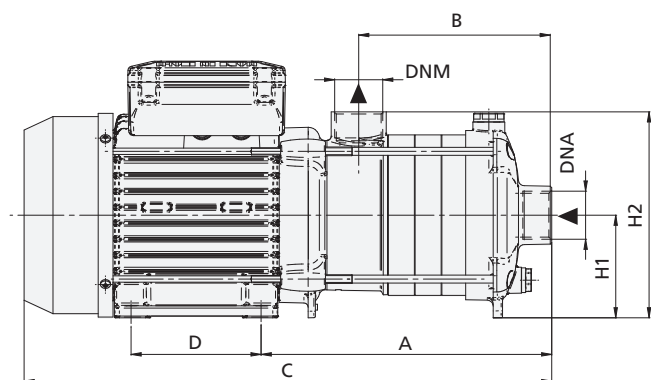
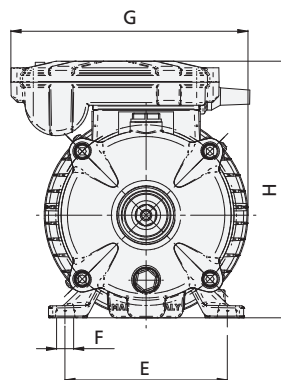
### MATERIALS

- Pump body: Stainless Steel
- Motor support: Stainless Steel
- Impeller: Stainless Steel
- Diffusers: Stainless Steel
- Pump casing: Stainless Steel
- Shaft with rotor: Stainless Steel
- Mechanical seal: Graphite/Graphite

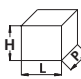


## TECHNICAL DATA

TYPE		NOMINAL POWER P2		INPUT POWER P1	AMPERE		Q = CAPACITY										
Single-phase	Three-phase	HP	kW	kW	Single-phase	Three-phase	m³/h	1	1,5	2	2,5	3	3,5	4	5	6	7
220V-60Hz	220/380V-60Hz				1 x 220V 60Hz	3 x 380V 60Hz	lt/1'	16	24,5	33	41,5	50	58	66	83	100	116
RSXM 2-3	RSX 2-3	0,75	0,55	0,5	3,9	1,4	Total head in meters w.c.										
RSXM 2-4	RSX 2-4	1	0,75	1,2	4,6	2,2	H (m)	38	36	33	29	27	24	19			
RSXM 2-5	RSX 2-5	1,5	1,1	1,4	6,3	2,2		51	48	44	40	36	32	26			
RSXM 2-6	RSX 2-6	2	1,5	1,7	7,4	3		63	60	55	50	46	40	30			
								75	72	66	60	53	46	35			



**DIMENSIONS AND WEIGHTS**

TYPE		DIMENSIONS mm											DIMENSIONS mm 			Weight
Single-phase	Three-phase	A	B	C	D	E	F	H	H1	I	DNA	DNM	P	L	H	Kg
RSXM 2-3	RSX 2-3	160	102	370	170	108	9	230	110	182	1"	1"	200	450	280	17
RSXM 2-4	RSX 2-4	160	120	388	170	108	9	230	110	182	1"	1"	200	450	280	17
RSXM 2-5	RSX 2-5	160	138	406	170	108	9	230	110	182	1"	1"	200	450	280	17
RSXM 2-6	RSX 2-6	160	156	424	170	108	9	240	118	190	1"	1"	200	450	280	20